

DZ-8C



Rooftop Air Conditioner



Energy Saving



Safety



Light Weight



Comfortable



Recyclable



CAN system *

www.clingac.com

DZ-8C



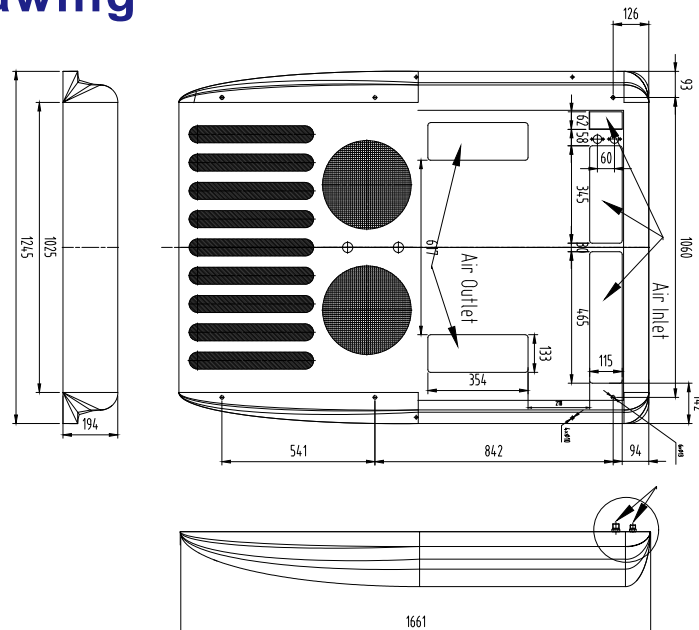
Technical Data

Cooling Capacity(kw)	8
Heating Capacity(kw)	/
Evaporator Air Flow(m ³ /h)	2000
Condenser Air Flow(m ³ /h)	3200
Fresh Air(m ³ /h)	900
Size (mm) L*W*H	1660*1245*210
Power Consumption(12V)	≤50A
Refrigerant	R134a
Applicable	Van
Compressor	Valeo TM16

- Compact design
- Cooling for special zone
- Designed for Minibus and Van



Installation Drawing



Van



Double Decker Bus



City Bus



High Decker Bus



Intercity Bus



Shuttle Bus



Coach



School Bus