



Zhengzhou Kelin Motor Vehicle Air Conditioning Co.,Ltd.

# SDD-03

## Compact Rooftop Bus A/C



Energy Saving



Safety



Light Weight



Comfortable



Recyclable



Intelligent

[www.clingac.com](http://www.clingac.com)

[nathan@clingac.com](mailto:nathan@clingac.com)

+86 371 8533 1944

Zhengzhou, Henan ,China

# SDD-03



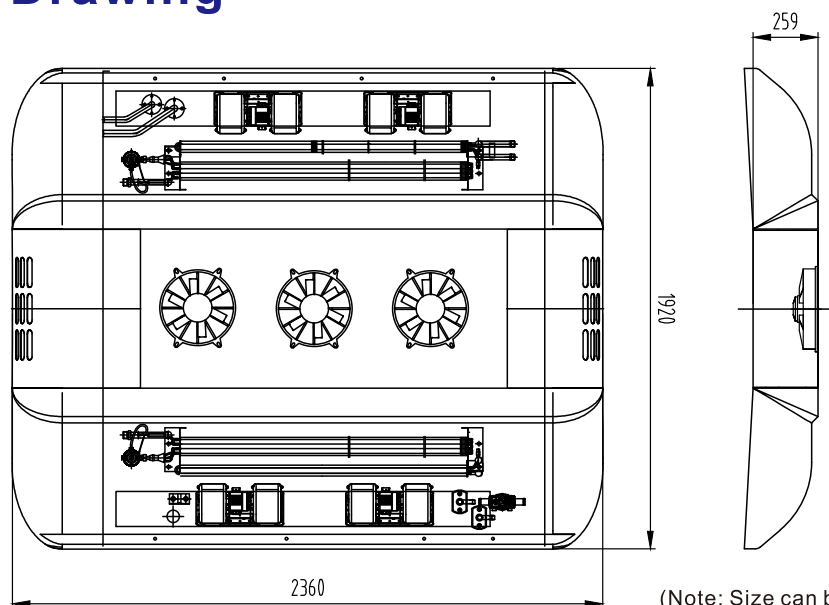
## Technical Data

Cooling Capacity(kcal/h)	22000
Heating Capacity(kcal/h)	20000(Optional)
Evaporator Air Flow(m <sup>3</sup> /h)	3440
Condenser Air Flow(m <sup>3</sup> /h)	5700
Fresh Air(m <sup>3</sup> /h)	860
Size (mm) L*W*H	2360*1920*259
Power Consumption(24V)	≤65A
Refrigerant	R134a
Appliable(m)	7-9
Compressor	BITZER / BOCK

- 🌿 LFT-D structure: ultralight, recyclable
- 🌿 Thermal insulation materials: anticorrosive, odorless and flame-retardant
- 🌿 V type micro-channel heat exchanger optional: heat exchange surface increased 20%, cooling capacity 15% more
- 🌿 Compact unit: 20% reduction in weight, heat exchange efficiency improved 20%, refrigerants charged 50% less



## Installation Drawing



(Note: Size can be adjusted for different scenes)

