



Zhengzhou Kelin Motor Vehicle Air Conditioning Co.,Ltd.

PZD-III

Compact Rooftop Bus AC



Energy Saving



Safety



Light Weight



Comfortable



Recyclable



Intelligent

www.clingac.com

asia1@clingac.com

+86 371 8533 1325

Zhengzhou, Henan ,China

PZD-III



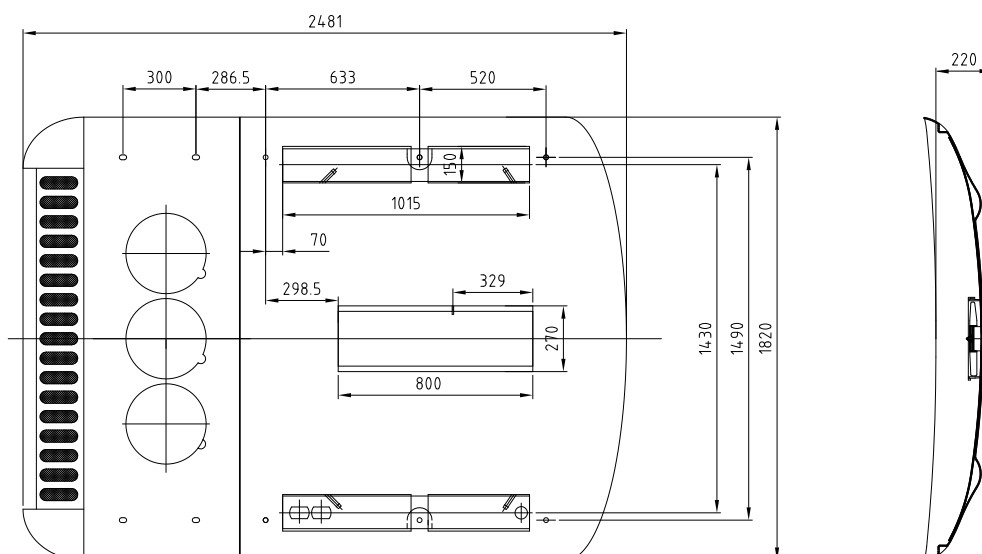
Technical Data

Cooling Capacity(kcal/h)	18000
Heating Capacity(kcal/h)	/
Evaporator Air Flow(m ³ /h)	4000
Condenser Air Flow(m ³ /h)	5700
Fresh Air(m ³ /h)	1000
Size (mm) L*W*H	2481*1820*220
Power Consumption(24V)	<60A
Refrigerant	R134a
Appliable(m)	7-8
Compressor	Valeo

- Front windward design: Micro-channel heat exchanger
- 100% DACROMET anti-corrosion coated coil suitable for harsh environment
- LFT-D Structure: ultralight, consistent, recyclable and rigid
- Rubber and thermal insulation materials: environmentally friendly
- Patented CAN control: modular design, digital communication
- Compressor Brand: VALEO, BITZER or BOCK



Drawing



Van



Double Decker Bus



City Bus



High Decker Bus



Intercity Bus



Shuttle Bus



Coach



School Bus