



Zhengzhou Kelin Motor Vehicle Air Conditioning Co.,Ltd.

SDD-04

Compact Rooftop Bus A/C



Energy Saving



Safety



Light Weight



Comfortable



Recyclable



Intelligent

www.clingac.com

nathan@clingac.com

+86 371 8533 1944

Zhengzhou, Henan ,China

SDD-04



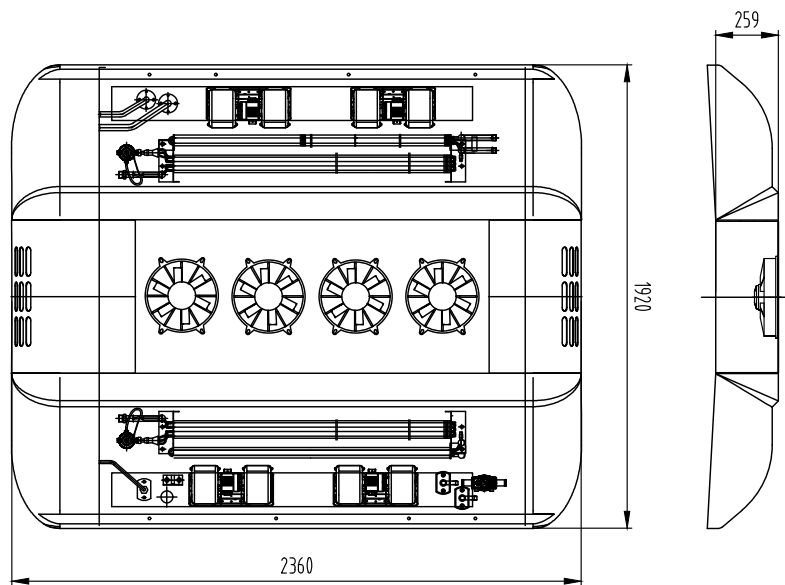
Technical Data

Cooling Capacity(kcal/h)	24000
Heating Capacity(kcal/h)	22000(Optional)
Evaporator Air Flow(m ³ /h)	4000
Condenser Air Flow(m ³ /h)	7600
Fresh Air(m ³ /h)	1000
Size (mm) L*W*H	2360*1920*259
Power Consumption(24V)	≤75A
Refrigerant	R134a
Appliable(m)	8-10
Compressor	BITZER / BOCK

- 🌿 LFT-D structure: ultralight, recyclable
- 🌿 Thermal insulation materials: anticorrosive, odorless and flame-retardant
- 🌿 V type micro-channel heat exchanger optional: heat exchange surface increased 20%, cooling capacity 15% more
- 🌿 Compact unit: 20% reduction in weight, heat exchange efficiency improved 20%, refrigerants charged 50% less



Drawing



(Note: Size can be adjusted for different scenes)



Van



Double Decker Bus



City Bus



High Decker Bus



Intercity Bus



Shuttle Bus



Coach



School Bus