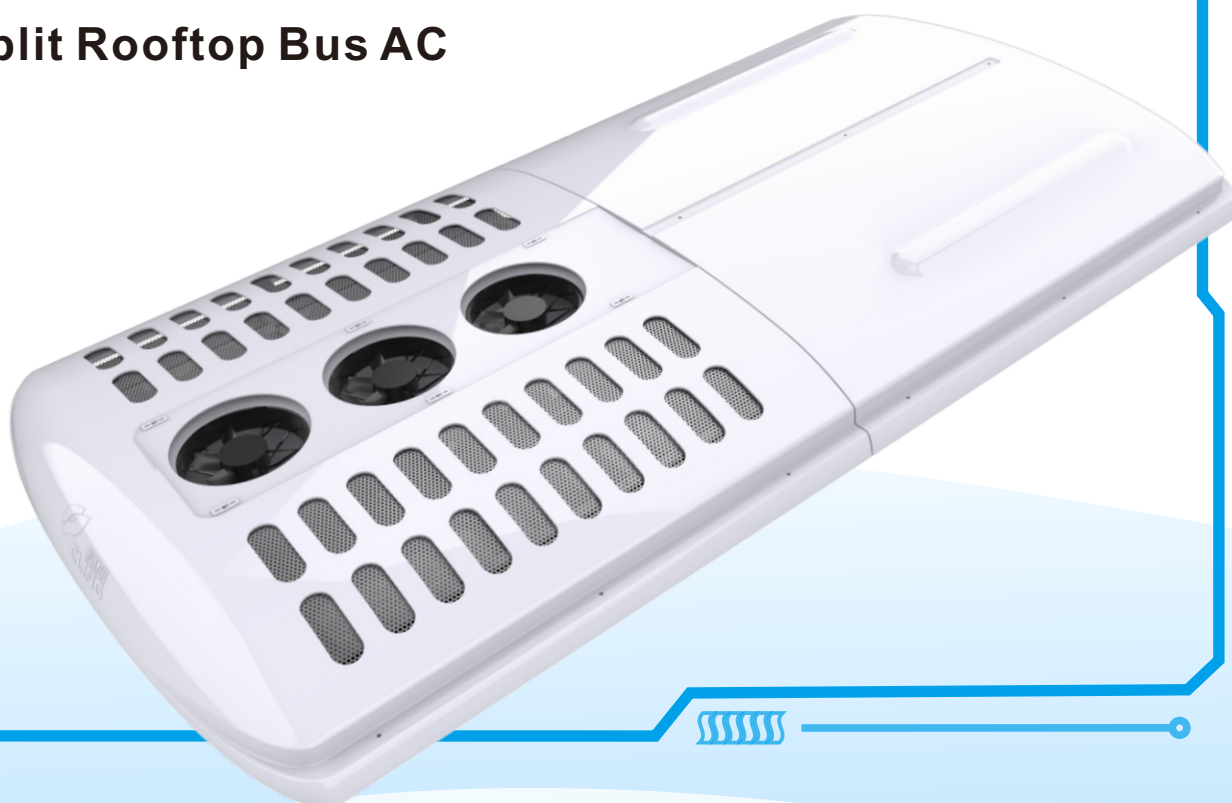


# BFFD-03

## Split Rooftop Bus AC



Energy Saving



Safety



Light Weight



Comfortable



Recyclable



Intelligent

[www.clingac.com](http://www.clingac.com)

# BFFD-03

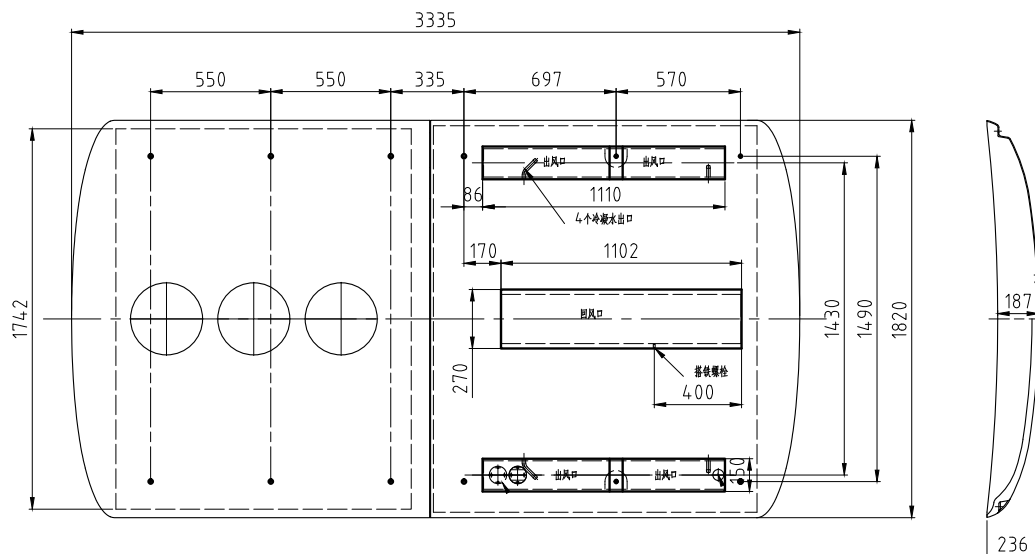
## Technical Data

Cooling Capacity(kcal/h)	18000
Heating Capacity(kcal/h)	/
Evaporator Air Flow(m <sup>3</sup> /h)	4000
Condenser Air Flow(m <sup>3</sup> /h)	5700
Fresh Air(m <sup>3</sup> /h)	1000
Size (mm) L*W*H	3335*1820*187
Power Consumption(24V)	<65A
Refrigerant	R134a
Appliable(m)	7-8
Compressor	VALEO TM31

- 🌿 LFT-D structure
- 🌿 Rubber and thermal insulation materials
- 🌿 Noise level reduced more than 2dB
- 🌿 Powerful cooling :Big margin design
- 🌿 Patented CAN control
- 🌿 Over 100,000 sets running globally since 2003



## Drawing



Van



Double Decker Bus



City Bus



High Decker Bus



Intercity Bus



Shuttle Bus



Coach



School Bus