



FFND-01

Built-in Split Bus AC



Energy Saving



Safety



Light Weight



Comfortable



Recyclable



Intelligent

www.clingac.com

FFND-01



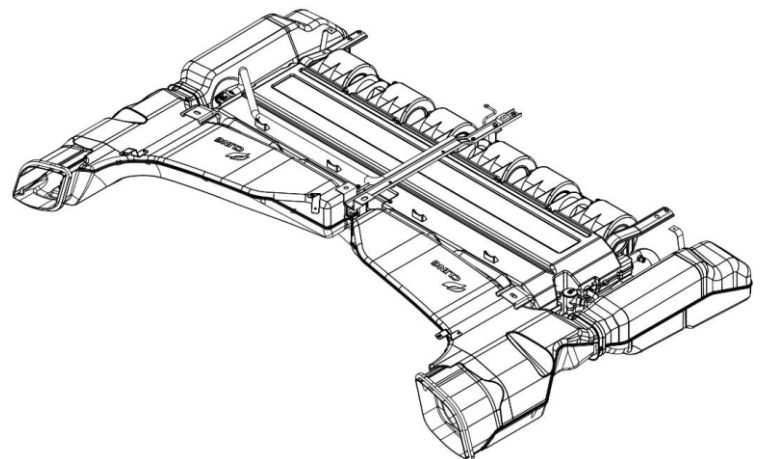
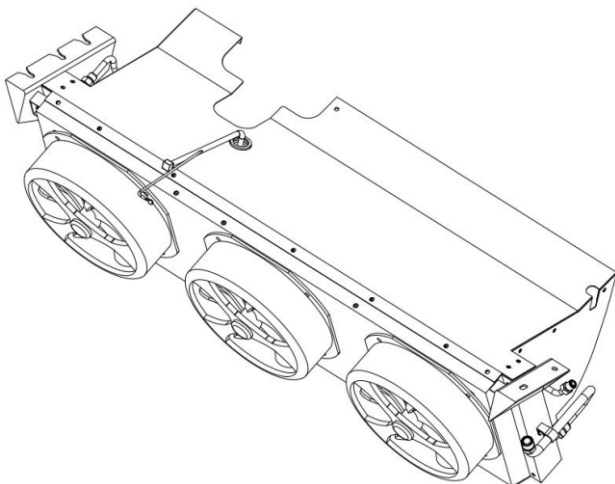
Technical Data

Cooling Capacity(kcal/h)	14000
Heating Capacity(kcal/h)	/
Evaporator Air Flow(m ³ /h)	3000
Condenser Air Flow(m ³ /h)	4500
Condenser Size (mm) L*W*H	1136*490*373
Evaporator Size (mm) L*W*H	1720*1114*262
Power Consumption(12V)	<120A
Refrigerant	R134a
Appliable(m)	7-7.5
Compressor	Valeo

- Customized design upon request
- Rubber and Thermal Insulation Materials Environmentally friendly
- Antiseptic, odourless and flame-retardant
- Easy Maintenance



Drawing



Van



Double Decker Bus



City Bus



High Decker Bus



Intercity Bus



Shuttle Bus



Coach



School Bus