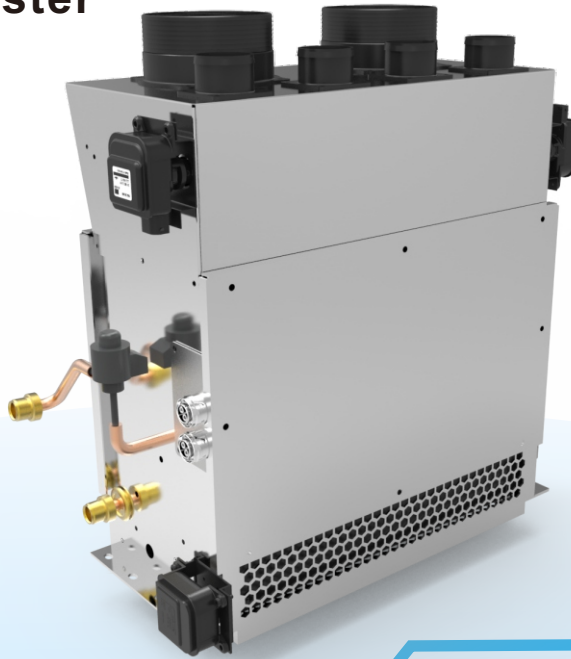


ECSQ-02

Electric Defroster



Energy Saving



Safety



Light Weight



Comfortable



Recyclable



Intelligent

www.clingac.com

ECSQ-02

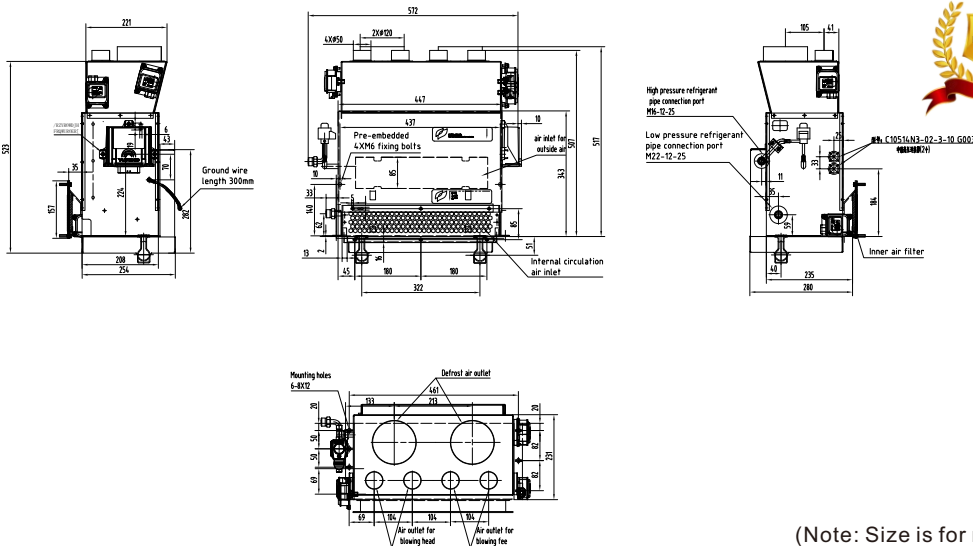


Technical Data

Cooling Capacity (kW)	5
Heating Capacity (kW)	3/5/8 (Adjustable)
HP Power Supply (VDC)	400~750
LP Power Supply (VDC)	24
Refrigerant	R407C
Dimension (mm) LxWxH	585*270*540
Evaporator Airflow (m ³ /h)	700 (Adjustable)
Function Modes	Defrost Blow Head Blow Feet Defrost & Blow Feet Blow Head & Feet Fresh Air

- Heating power can be adjusted in multi positions, to meet the requirements of heating scenes at different temperature.
- Integrated temperature and system pressure detection, and exclusive patent compressor protection against liquid impact, bring you a full protection experience.
- The 20,000h ultra-long service life of the fan, the 60,000 times of actuation of the imported motor actuator, the 200,000 times of cold and hot shocks of the core, and the 100,000 times of opening of the thermal valve, meet the operating demand in the whole life cycle.
- The electromagnetic expansion valve is integrated into the system control. The three-way water valve and the defroster body are integrated and installed to reduce the assembly space.
- It has full-function air supply mode such as defrosting, head blowing, foot blowing, defrosting and foot blowing, head and foot blowing, and fresh air, to meet different usage habits of customers.

Drawing



(Note: Size is for reference only)



Van



Double Decker Bus



City Bus



High Decker Bus



Intercity Bus



Shuttle Bus



Coach



School Bus